



Guangdong AIRMUSEN  
Compressor Technology Co., Ltd.  
广东爱木森压缩机科技有限公司

**AIRMUSEN**  
Focus On Energy Saving

# LUCID WATERS AND LUSH MOUNTAINS ARE INVALUABLE ASSETS.

碧水青山是无价之宝



致力于提供高品质的压缩空气解决方案

COMMITTED TO PROVIDING HIGH QUALITY COMPRESSED AIR SOLUTIONS

广东爱木森压缩机科技有限公司，致力于空气压缩机、压缩空气后处理及周边设备的研发、生产和销售，为压缩机用户提供可持续的、节能的压缩空气及干燥净化系统解决方案。我们以“纯净空气·爱护森林·爱护自然”为宗旨，按照高品质和高工艺要求，助力客户实现可持续发展的目标，并在复杂多变的市场中不断突破和自我成长。

公司多年来不断努力发展，现主要生产的产品有无油中高压空压机、有油中高压空压机、中高压螺杆增压空压机、螺杆机、后处理净化设备等，生产各种气体压缩机如空气、氮气、氩气、氦气、氢气、二氧化碳等工艺气体，可根据特定要求，定制各种气体压缩机。

Guangdong AIRMUSEN Compressor Technology Co., Ltd. is committed to the research and development, production, and sales of air compressors, compressed air post-treatments, and other related accessory equipment, providing sustainable and energy saving compressed air drying and purification system solutions for compressor users. Our mission is to Purify Air, Cherish Forest and Treasure Nature. Under the high quality and fine craftsmanship requirements, we are aiming to assist our customers in achieving their sustainable development goals and empower them to continuously make breakthroughs and gain self-growth in this complex and ever-changing market.

Our company has been striving for development in the past decades, with focuses on products such as Oil-free Medium and High Pressure Air Compressors, Medium and High Pressure Air Compressors, Medium and High Pressure Screw and Piston Booster Air Compressors, Screw Air Compressors, Compressed Air Purification Treatment Systems, etc. Compressors for other sort of gases like Nitrogen, Argon, Helium, Hydrogen, Carbon Dioxide are also among our catalogs. Customized compressor proposals for various gas could be offered based on any specific requirements. Feel free to contact us for your very tailor-made air compressor plans.

## 使命 Mission

致力于节能、环保、发展科技，保护地球

Committed to energy conservation, environmental protection, technology development, and protection of the earth

## 愿景 Vision

成为顶尖的高品质压缩空气解决方案供应商

Become a top high-quality compressed air solution provider

## 价值观 Values

务实、担当、拼搏、协作

Pragmatic, responsible, hard-working, and collaborative

HELPS EFFICIENT PRODUCTION IN  
A VARIETY OF APPLICATIONS

助力多种应用高效生产

# AIRMUSEN



## 食品及饮料行业

无油空气压缩机的高温压缩环境，可以减少压缩空气中微生物的含量。并且整个压缩过程都不会带来任何油，大大降低了食品及饮料成品在生产工艺流程中被污染的风险。

## FOOD AND BEVERAGE INDUSTRY

The high temperature compression environment of the oil-free air compressor can reduce the amount of microorganisms in the compressed air. And the entire compression process does not bring any oil, greatly reducing the risk of contamination of food and beverage products in the production process.



## 化工行业

对于化工行业的应用来说，从生产工艺的第一步到半成品以及最终的产品成型，每一个环节都必须使用高纯度的压缩空气，将停产风险降到最低。

## CHEMICAL INDUSTRY

For the chemical industry, from the first step to the production process to the semi-finished product and the final product molding, high-purity compressed air must be used in every step to minimize the risk of production stoppage.



## 纺织行业

高科技的喷气织机需要绝对干净、干燥且百分之百无油的压缩空气，AIRMUSEN凭借业界领先的技术为全球的纺织行业用户提供最纯净的无油系统解决方案。

## TEXTILE INDUSTRY

High-tech air jet looms require absolutely clean, dry and 100% oil-free compressed air. AIRMUSEN provides the purest oil-free system solutions to the world's textile industry users with industry-leading technology.

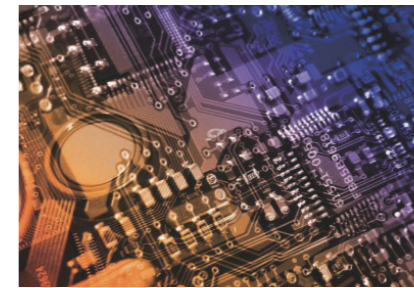


## 电力行业

压缩空气的品质是非常重要的，且容不得半点疏忽。因此，当压缩空气应用于电力系统的仪表时，绝大多数的设计师都会选用无油空压机。

## POWER INDUSTRY

The quality of the compressed air is very important and cannot be neglected. Therefore, when compressed air is applied to the instrument of the power system, most designers will choose an oil-free air compressor.



## 电子行业

高品质的压缩空气对于电子行业来说是至关重要的-任何含水或油的压缩空气都可能导致生产停机时间的增加和废品率的上升。

## ELECTRONICS INDUSTRY

High quality compressed air is critical to the electronics industry any water or oil compressed air can cause increased production downtime and increased scrap rates.



## 制药行业

要求严格的制药行业需要其整个生产工艺中使用百分之百的无油压缩空气。压缩空气品质的高低是GMP认证中的重要一环。

## PHARMACEUTICAL INDUSTRY

The demanding pharmaceutical industry requires 100% oil-free compressed air throughout its production process. The quality of compressed air is an important part of GMP certification.

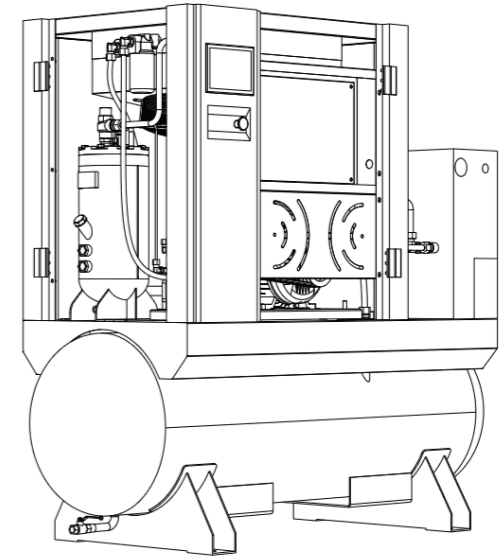
工频一体式压缩机

ALL IN ONE FIXED SPEED SCREW AIR COMPRESSOR



AIRMUSEN空气压缩机从设计上确保较低的系统温度及较低的压缩空气温度，使得所有部件获得绝佳的冷却效果，运转寿命最大化。保证您工厂在提高生产力的同时，将成本降到最低水平。

The AIRMUSEN air compressor is designed to ensure low system temperatures and low compressed air temperatures, resulting in excellent cooling of all components and maximum operating life. Keep your plant to the lowest level while increasing productivity.



Beautiful new design with less floor space  
 PLC control standard, integrated with air dryer  
 Standard with more functions, while reduce unnecessary parts and options ergonomic design, which improve the comfort of use

优美的全新设计，占地面积更小  
 PLC控制标准供货，干燥机一体设计  
 标配更多功能，同时减少不必要的零部件和可选项  
 人体工程学设计，提高了使用舒适度

技术参数  
 Technical Parameters

Models 型号	Flow rate 额定压力排气量 (m <sup>3</sup> /min)	Flow rate 额定压力排气量 (m <sup>3</sup> /min)	Power 功率 (kw)	Noise 噪音 dB(A)	Outlet size 排气口 尺寸	Weight 重量 (kg)
	(rated pressure: 0.8Mpa)	(rated pressure: 1.0Mpa)				
EM7	1.03	0.91	7.5	60±3	Rc3/4	330
EM11	1.52	1.35	11	60±3	Rc3/4	480
EM15	2.4	2.1	15	60±3	Rc3/4	550

注:具体参数请咨询AIRMUSEN公司。  
 Note: Pls contact with AIRMUSEN company for more details.

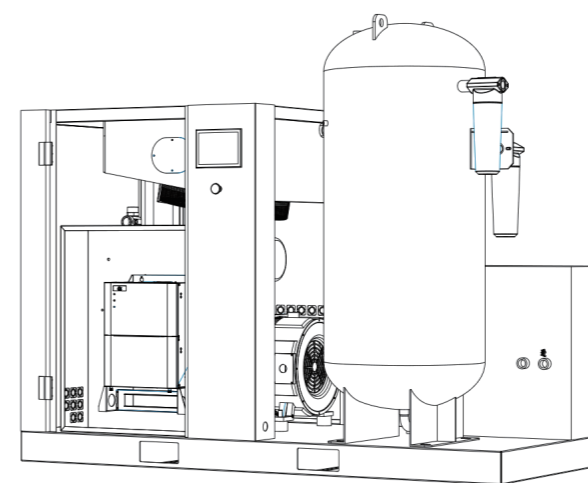
ALL IN ONE VSD SCREW  
AIR COMPRESSOR  
变频一体式压缩机

AIRMUSEN是专业永磁变频空压机的制造商，专注于螺杆空气压缩机的研发与生产，为用户持续提供高品质、节能、可靠稳定的压缩空气。

永磁电机与压缩机主机采用内嵌式一体轴直连结构，结构更加紧凑，传动效率100%。没有电机轴承：带有永磁体的转子直接安装在阳转子的伸出轴上。这种结构无需轴承，从而消除了电机轴承故障点。

AIRMUSEN is a professional manufacturer of permanent magnet variable frequency air compressors, focusing on the development and production of screw air compressors, providing users with continuous high quality, energy saving, reliable and stable compressed air.

The permanent magnet motor and the compressor main unit adopt an in-line integrated shaft direct connection structure, which is more compact and has a transmission efficiency of 100%. No motor bearing: The rotor with permanent magnets is mounted directly on the extension shaft of the male rotor. This structure eliminates the need for bearings, eliminating motor bearing failure points.



通过对传统空气压缩机布置方式的变革，爱木森压缩机为整个行业带来了全新变革。不同于其他分体设计，浪费空间，采用卧式或立式设计的EM系列占地面积更小，更大程度地节约了场地和工作空间，且维护简单。

By changing the layout of traditional air compressors, AIRMUSEN compressors have brought changes to the whole industry. Unlike other waste space split designs, the EM series adopts a horizontal or vertical design with a smaller floor space and longer range to save space and work space and it is simple in maintain.

技术参数 Technical Parameters

Models 型号	Flow rate 额定压力排气量 (m³/min) (rated pressure: 0.8Mpa)	Flow rate 额定压力排气量 (m³/min) (rated pressure: 1.0Mpa)	Power 功率 (kw)	Noise 噪音 dB(A)	Outlet size 排气口 尺寸	Weight 重量 (kg)
EM11TV	1.52-1.2	1.35-1.0	11	60±3	Rc3/4	480
EM 15TV	2.4-2.0	2.1-1.7	15	60±3	Rc3/4	550
EM 22TV	3.6-3.0	3.1-2.5	22	60±3	Rc1	800
EM15TV-P	3.3-2.75	2.75-2.61	15	55±3	Rc3/4	450
EM22TV-P	4.38-3.65	3.65-3.50	22	55±3	Rc1	650
EM 30TV-P	6.24-5.20	5.20-4.15	30	60±3	Rc1-1/2	700
EM37TV-P	7.80-6.50	6.50-5.91	37	60±3	Rc1-1/2	850
EM45TV-P	9.30-7.75	7.75-7.08	45	60±3	Rc2	1100
EM55TV-P	12.7-10.6	10.6-9.50	55	65±3	Rc2	1200
EM75TV-P	16.1-13.4	13.4-11.6	75	65±3	Rc2	1500

注:具体参数请咨询AIRMUSEN公司。  
Note: Pls contact with AIRMUSEN company for more details.

PERMANENT MAGNET VARIABLE  
FREQUENCY SCREW AIR COMPRESSOR  
永磁变频螺杆空气压缩机

压缩机的电机通常是整个工厂设备中负荷最大的电机，如果你的生产需要压缩空气那就不得不依靠高质量、高精度电机，当其它电机因负荷不能正常运转时，为AIRMUSEN直联机特别坚固设计的电机仍能正常运行，而且设备的电机维修保养和其它电机一样容易。

The motor of the compressor is usually the most loaded motor in the entire plant. If your production requires compressed air, you have to rely on high-quality, high-precision motors. When other motors fail to work properly due to load, they are particularly strong for AIRMUSEN direct connection. The designed motor is still operating normally, and the motor maintenance of the device is as easy as other motors.



技术参数 Technical Parameters

Models 型号	Flow rate 额定压力排气量 (m <sup>3</sup> /min) (rated pressure: 0.8Mpa)	Flow rate 额定压力排气量 (m <sup>3</sup> /min) (rated pressure: 1.0Mpa)	Power 功率 (kw)	Noise 噪音 dB(A)	Outlet size 排气口 尺寸	Weight 重量 (kg)
EM05V	1.0-0.8	0.8-0.6	5.5	55±3	Rc1/2	350
EM07V	1.5-0.2	1.2-0.9	7.5	55±3	Rc1/2	350
EM11V	2.0-1.6	1.6-1.2	11	55±3	Rc1/2	450
EM15V	3.3-2.75	2.75-2.61	15	55±3	Rc3/4	450
EM22V	4.38-3.56	3.65-3.50	22	55±3	Rc1	650
EM30V	6.24-5.20	5.20-4.15	30	60±3	Rc1-1/2	700
EM37V	7.80-6.50	6.50-5.91	37	60±3	Rc1-1/2	850
EM45V	9.30-7.75	7.75-7.08	45	60±3	Rc2	1100
EM55V	12.7-10.6	10.6-9.50	55	65±3	Rc2	1200
EM75V	16.1-13.4	13.4-11.6	75	65±3	Rc2	1500

注:具体参数请咨询AIRMUSEN公司。

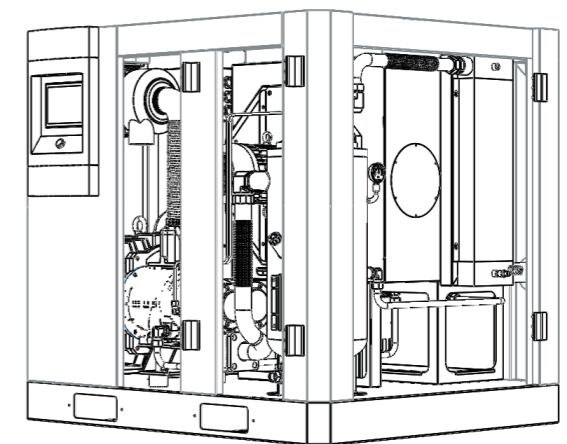
Note: Pls contact with AIRMUSEN company for more details.

机组采用模块一体化集成设计，结构简单，安装方便，减少管道压损，减少易损件等优点，系统采用A系列智能变频控制器控制，机器运行时自动做全方位性能检测为机器运行提供保驾护航。

低运行成本，低能耗，低维护成本，低无功消耗，节约能源。

Adopt integrated design, the compressor is with the advantages of simple structure, easy to install, less pipe pressure loss, less wearing parts. The system is with A series intelligent controller, which can all-round detect the compressor performance to escort the safety operation.

Low running cost, low energy consumption, low maintenance cost, low unloading consumption, save energy.



## TWO STAGE COMPRESSION SCREW AIR COMPRESSOR (PM-VSD)

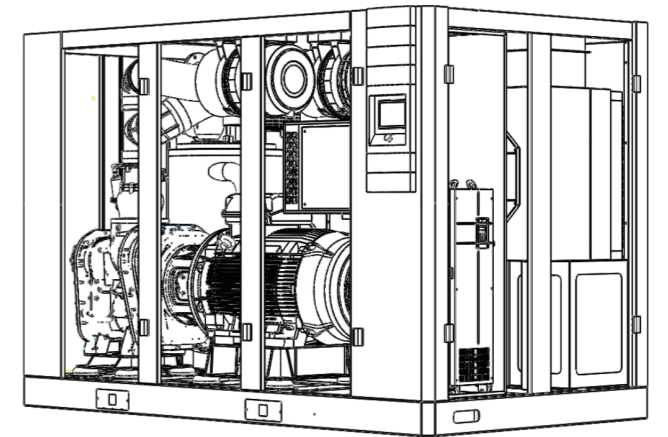
### 两级压缩螺杆空压机(永磁变频)

保障选用节能回报最高的机组  
相比标准螺杆机，AIRMUSEN两级压缩机  
能够提供最多气量、最大气量调节范围和  
最高效率

居行业翘楚的稳定性，已不仅仅是稳定，  
更是效率的体现，即使在恶劣的工况下也  
能运行的强劲耐力

Guarantee the unit with the highest energy  
saving return  
AIRMUSEN two-stage compressor provides the  
most gas volume, maximum gas volume adjust-  
ment range and maximum efficiency compared  
to standard screw machines

The stability of the industry leader is not only  
stable, but also the embodiment of efficiency,  
even in the harsh conditions can run strong  
endurance



当您现在使用的压缩机排气压力波动范围大时，还希望能够将系统的运行费用降到最低，那么只是选用一台可靠、高效的空气压缩机是无法满足您的节能需求，AIRMUSEN两级压缩空压机可以使您如愿以偿。AIRMUSEN两级压缩空压机节能效果显著，先进的系统控制器为您带来稳定的系统压力，降低系统能耗、延长部件寿命、以及提高您的生产效率。

The motor of the compressor is usually the most loaded motor in the entire plant. If your production requires compressed air, you have to rely on high-quality, high-precision motors. When other motors fail to work properly due to load, they are particularly strong for AIRMUSEN direct connection. The designed motor is still operating normally, and the motor maintenance of the device is as easy as other motors.

### 技术参数 Technical Parameters

Models 型号	Flow rate 额定压力排气量 (m <sup>3</sup> /min) (rated pressure: 0.8Mpa)	Flow rate 额定压力排气量 (m <sup>3</sup> /min) (rated pressure: 1.0Mpa)	Power 功率 (kw)	Noise 噪音 dB(A)	Outlet size 排气口 尺寸	Weight 重量 (kg)
EM37DV	3.00-7.05	3.00-6.18	37	65±3	G1-1/2	1560
EM45DV	3.50-9.78	3.50-6.96	45	68±3	G1-1/2	1600
EM55DV	4.00-11.9	4.00-10.5	55	70±3	DN65	2100
EM75DV	5.00-16.0	5.00-14.0	75	75±3	DN65	2200
EM90DV	8.00-19.0	8.00-17.0	90	70±3	DN80	3500
EM110DV	9.00-23.8	9.00-20.0	110	75±3	DN80	3600
EM132DV	11.0-27.0	11.0-23.8	132	75±3	DN80	3880
EM160DV	13.0-32.0	13.0-28.0	160	75±3	DN80	3900
EM185DV	15.0-39.1	15.0-32.8	185	80±3	DN80	4000
EM200DV	20.0-41.0	20.0-36.5	200	75±3	DN125	7300
EM220DV	22.0-46.5	22.0-41.9	220	75±3	DN125	7500
EM250DV	25.0-50.8	25.0-48.6	250	75±3	DN125	7600

注:具体参数请咨询AIRMUSEN公司。

Note: Pls contact with AIRMUSEN company for more details.

## 低压螺杆空压机

### LOW PRESSURE SCREW AIR COMPRESSOR

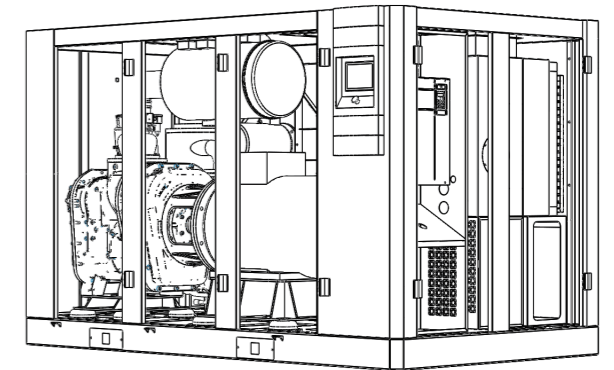
采用大转子、低转速保证机器高性能；加大油气分离设备，保证出气含油量 <2ppm；低压螺杆空压机气源清洁，减少了清洗加弹机喷嘴的次数，提高了成品的质量；油冷却器散热面积加大30%以上，保证夏天正常运行，不超温；

Using big rotor, low rotary speed, to ensure the high performance of the machine; Enlarging the oil&air separator system, to ensure the oil content of air export<2ppm; The air from low pressure screw machine is clean, reducing the times to clean the nozzle of texturing machine, improving the quality of finished products; Enlarging cooler's cooling area more than 30%, which ensures the normal operation in high temperature in summer;



独立设计主机内部压比，优化输入比功率；智能控制系统，根据客户使用情况自动调节排气量(变频机型)；内置物联网模块，随时随地通过移动终端掌握空压机的运行状况。

Separately design the compression ration of the host, optimize input specific power; intelligent control system, adjust the air delivery automatically based on customers' using (variable frequency models); Net working module is optional, you can know the operation of machine through the mobile at anytime anywhere;



## 技术参数

### Technical Parameters

Models 型号	Flow rate 额定压力排气量 (m <sup>3</sup> /min) (rated pressure: 0.3Mpa)	Power 功率 (kw)	Noise 噪音 dB(A)	Outlet size 排气口 尺寸	Weight 重量 (kg)
EM55L	4.50-16.00	55	83±3	Dn100	3000
EM75L	7.00-21.50	75	85±3	Dn100	4300
EM90L	8.00-28.00	90	80±3	Dn125	4900
EM110L	10.0-33.50	110	82±3	Dn125	5100
EM132L	13.0-40.00	132	85±3	Dn150	6900
EM160L	16.0-50.00	160	80±3	Dn150	7100
EM185L	18.0-58.00	185	83±3	Dn150	7500
EM200L	20.0-62.50	200	79±3	Dn200	8600
EM220L	23.0-70.00	220	85±3	Dn200	8800
EM250L	25.0-82.00	250	82±3	Dn200	9500
EM315L	30.0-95.00	315	85±3	Dn250	11000

注:具体参数请咨询AIRMUSEN公司。

Note: Pls contact with AIRMUSEN company for more details.